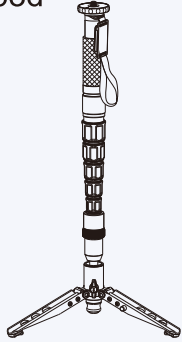




Professional Photographic Equipment

INSTRUCTIONS

P-326S/P-426S Multi-function Photo/Video Monopod



1. Understanding your Photo/Video Monopod

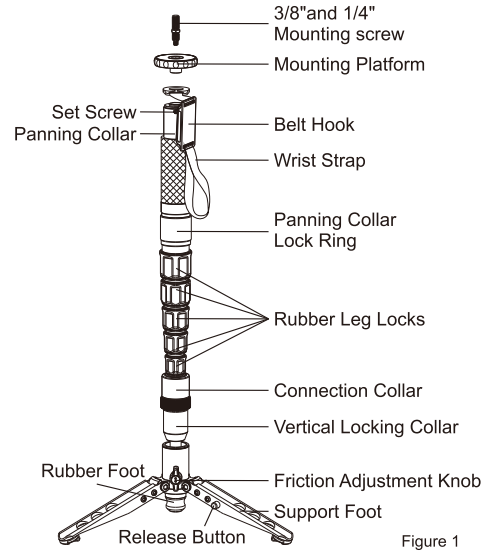


Figure 1

Leg Extension

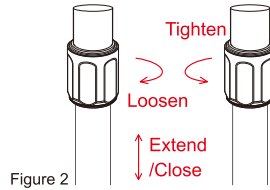


Figure 2

Leg tube assembly

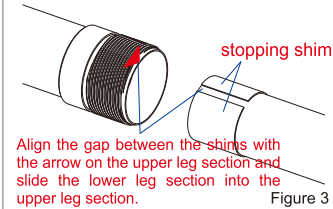


Figure 3

Tilt and Vertical Locking Control

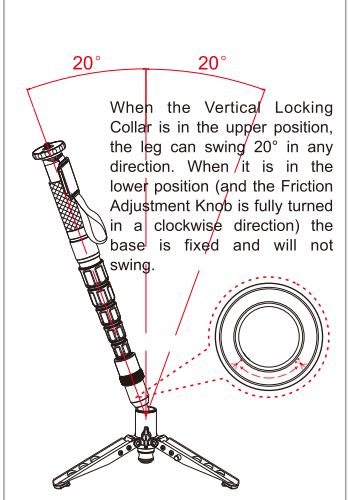


Figure 6

Rotating and locking function of the Panning Collar

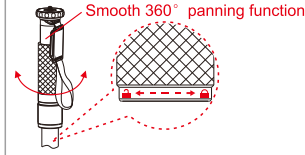


Figure 4

Monopod Ball Head Base Friction Adjustment

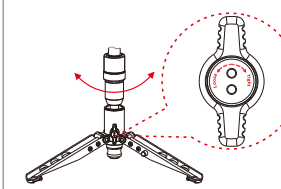


Figure 5

Zhongshan SIRUI Photographic Equipment Industry CO.,Ltd

Address: The Third Industrial District, Wuguishan Town, Zhongshan City, Guangdong, China
E-mail: info@sirui-photo.com http://www.sirui-photo.com http://www.zzsirui.com
Tel: 0086-760-88997373 Fax: 0086-760-88207062 P.C: 528458
Service Hotline: 0086-400-8302299

2. Monopod function: Converting from 3/8\"/>

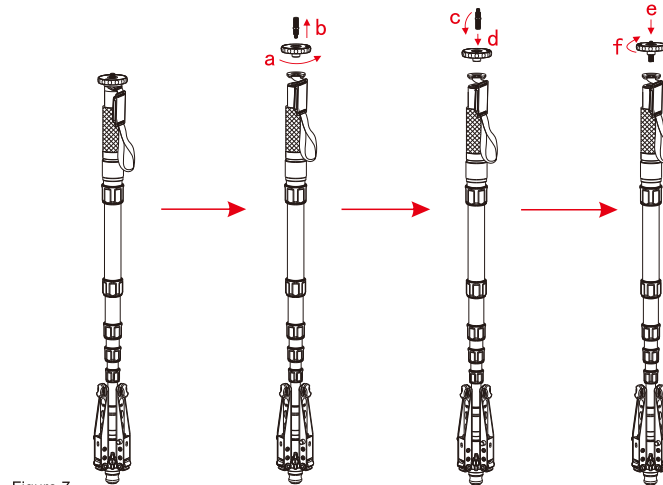


Figure 7

3. Photo & Video function

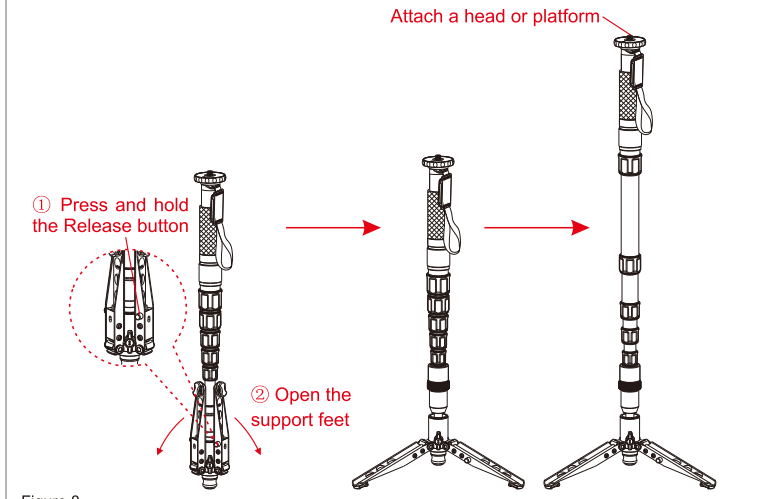


Figure 8

P-326S/P-426S Multi-function Photo/Video Monopod Data Chart

Section	Max Dia mm/inch	Min Dia mm/inch	Monopod Max.H mm/inch	Monopod Min.H mm/inch	Weight kg/lb	Load kg/lb
6	33/1.3	15/0.6	1500/59.1	545/21.5	1.3/2.9	8/17.6
6	36.6/1.4	18.6/0.7	1600/63.0	575/22.6	1.4/3.1	10/22.0

1. Know your Photo/Video monopod (Figure 1, 2, 3, 4, 5, 6)

The innovative SIRUI P-S series Photo/Video Monopod provides control and flexibility not possible from conventional monopods. The Panning Collar on the top of the monopod has a rotating system for smooth panning (lockable); the bottom of the main body has a ball head system (with friction adjustment) that allows tilting 20° in any direction. A Vertical Locking Collar can lock the monopod in a vertical position. The three foldable support feet offer unparalleled stability, control and flexibility. The legs can be removed from the monopod and used as a separate tripod.

Figure 4: The Panning Collar Lock Ring is used for locking/unlocking the panning system (when the Panning Collar Lock Ring is twisted in a clockwise direction, the Panning Collar will be locked).

Figure 5: The Friction Adjustment Knob controls the amount of friction on the ball head base (when the knob is twisted in a counter-clockwise direction, the ball head friction will decrease; when it is twisted in a clockwise direction, the ball head friction will increase).

2. Monopod Function (Figure 7)

The mounting screw can be converted from 3/8\"/>

3. Photo/Video Function (Figure 8)

Open the support foot by pushing in the Release lock button and pulling down the foot until it locks into position. To close the support foot, push in the Release lock button and push the foot up towards the monopod. The Panning Collar can turn 360° and the Ball Head Base can swing 20° in any direction.

4. Multi-purpose Photo/Video Monopod can be separated into a monopod and table-top tripod

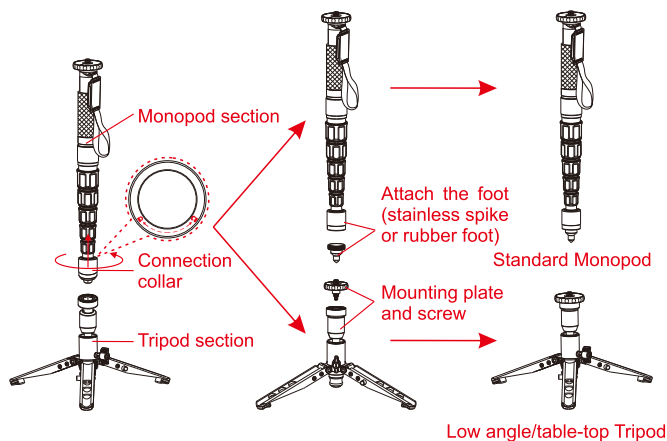
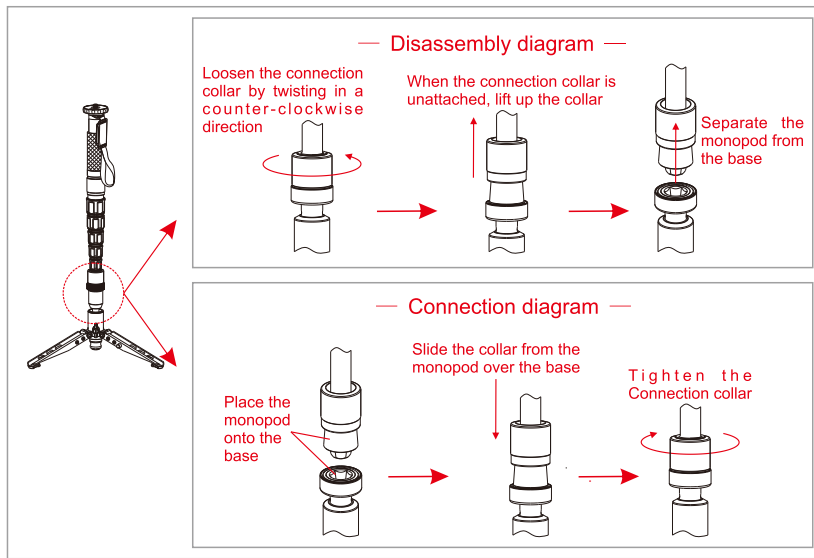


Figure 9



5. Use table-top tripod for low angle shooting

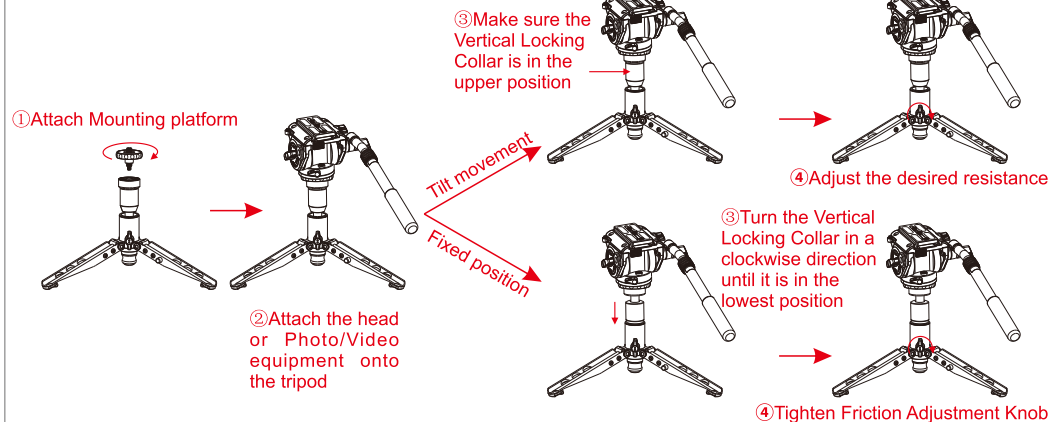


Figure 10

6. The SIRUI VH-90 Platform and VH-10 Fluid Head are available separately

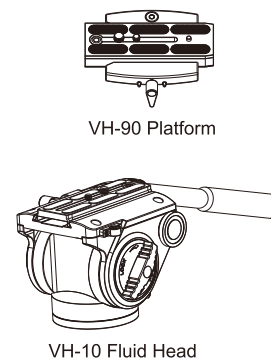


Figure 11

4. Separating the Photo/Video monopod into a monopod and table-top tripod. (Figure 9)

The Connection Collar is used for connecting and detaching the upper and lower sections of the monopod. Turn the Connection Collar in a counter-clockwise direction to separate the feet from the monopod. Turn the Connection Collar in a clockwise direction to re-attach the feet to the monopod.

5. Use table-top tripod for low angle shooting (Figure 10)

6. The SIRUI VH-90 Platform and VH-10 Fluid Head are available separately (Figure 11)

7. Belt Hook

When your work is finished, you can easily carry the closed monopod by attaching the Belt Hook onto your belt.

Caution:

1. Make sure the Rubber Leg Locks are locked before you try to separate the monopod from the feet.
2. Place the P-S monopod on the ground with the support feet open and twist the Connection Collar in a counter-clockwise direction. Lift up the collar and remove the monopod. Attach the rubber foot or spike onto the monopod.

Warning

The SIRUI P-S Photo/Video monopod is not designed to be used as a stand-alone support. To prevent damage to your equipment, you must hold onto your equipment and/or keep your foot on the support feet at all times.

Attention:

Do not exceed the recommended maximum load weight (please refer to the manual).

Please make sure that the locks are securely tightened when in use. For added safety, please put your wrist through the wrist strap when using the monopod.

This product should not be used in environments that exceed the following conditions (-40 ~ +100°C/-40 ~ +212°F). And, when used in damp, dirty or dusty environments, please clean and dry thoroughly after use, to assure proper functioning in the future. It is not recommended to expose this product to saltwater. If exposed, please clean with mild soap and warm water and towel dry.

Please keep from high temperatures and direct exposure to bright sunlight for extended periods of time.

Please do not leave the equipment alone in a public place, which can be an inconvenience or hazard to others.

To protect your camera gear, please remove it from the tripod/ball head when transporting from place to place.

Please use a soft towel with mild soap to clean the locking system and gliding parts, when necessary.

Under most situations, there is no need to lubricate any parts of this product. The addition of most lubricants will gum up the mechanisms and reduce their normal gliding characteristics. Please call or email us if you have any questions or special needs.

Please keep this product away from all electrical power sources.



CAUTION!

Do not place the monopod, with camera attached, over your shoulder or carry the monopod horizontally by the leg. Strong shaking may cause damage of the screw in the mounting plate and/or the camera. Please extend the legs from the biggest tube to smallest tube; close the legs from the smallest tube to biggest tube, to avoid leg joint bushing damage.

Specifications are subject to change without notice.