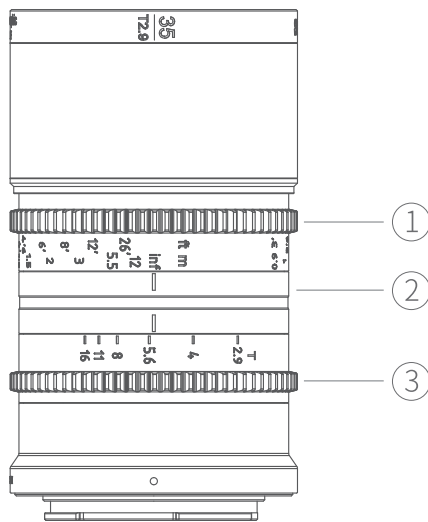




SIRUI 35mm T2.9 1.6x Carbon Fiber
Full-Frame Anamorphic Lens

INSTRUCTIONS

Components of the Lens



① Focus Ring ② Indicator Ring ③ Aperture Ring

Lens Features

1. The front barrel is constructed with carbon fiber.
2. Well-designed aspherical elements are used to eliminate chromatic aberration and reduce overall lens size and weight.
3. Small enough to be used on handheld stabilizers, FPV drones and vehicle rigs.
4. Horizontal blue and natural flares are offered.
5. Constant 1.6x squeeze ratio at all focusing points.
6. Equivalent to the horizontal FOV of a 22mm FF spherical lens.

Lens Set-up Instructions

1. Attach the lens
Align the red dot on the lens with the white dot on the camera and rotate the lens clockwise to mount it on the camera.
(Rotate the lens counterclockwise when used on Nikon cameras)
2. Remove the lens
Press the lock button on the camera and rotate the lens counterclockwise to dismount it from the camera.
(Rotate the lens clockwise when removed from Nikon cameras)

Product Precautions for Normal Use

- Please avoid any long-term exposure to the lens in a wet environment which may produce mold and rust on the lens. Store the lens in an airtight cabinet with a drying agent. For other options, contact your SIRUI rep for information on a SIRUI High Performance Humidity Control Cabinet or visit www.sirui.com.
- Do not touch the lens glass surface with your fingers. Gently remove dust and dirt with a cleaning cloth or lens brush. Wipe off fingerprints with lens cleaning products and a lens cloth. Do not clean the lens with general household cleaners.
- Please avoid using the lens in the rain or near water as this may damage the lens and void the warranty.
- When transporting the lens from a hot and cold environment, please place the lens into a lens case or a commercial camera bag. When removed, allow the lens some time to adapt to the new temperature as the lens interior may develop condensation if not.

Data Chart for the Lens

Model	SIRUI 35mm T2.9 1.6x Carbon-Fiber Full-Frame Anamorphic Lens
Focal Length	35mm
Aperture Range	T2.9 -T16
Lens Structure	18 Elements in 13 Groups
Aperture Blades	10
Frame	Full Frame
Shooting Distance	0.9 m - ∞
Focus Method	Manual Focusing
Maximum Magnification	1:22.87(V) , 1:40.08(H)
Filter Spec	M58×0.75
Rotation Angle of the Focus Ring	120°
Max Diameter(mm/inch)	60.5/2.38 (DL/E) ; 66.8/2.63 (RF)
Diameter of the Aperture Ring(mm/inch)	60.48/2.38
Diameter of the Focus Ring(mm/inch)	60.48/2.38
Length (mm/inch) (Lens Caps Not Included)	E: 102/4.02 DL: 103/4.06 RF: 100/3.94
Weight(g/lb) (Lens Caps Not Included)	E: 415/0.91 DL: 390/0.86 RF: 425/0.94



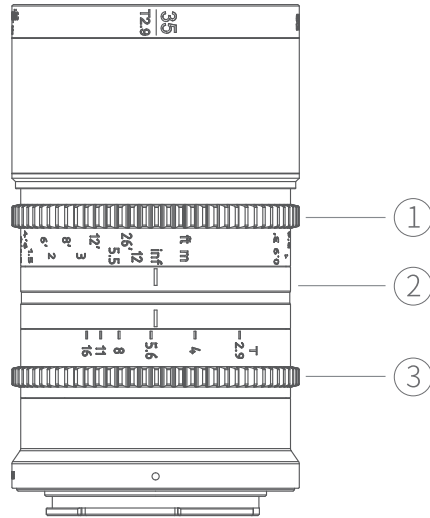
影像随心 思锐随行



35mm T2.9 1.6x 碳纤
全画幅变宽电影镜头

使用说明

镜头元件



① 对焦环 ② 标识环 ③ 光圈环

镜头特色

1. 在16:9的模式下能拍摄宽幅视频(后期还原2.8:1的宽银幕比例)。
2. 独特的逆光拉丝效果,科幻感十足。
3. 大光圈出色的景深和迷人的椭圆焦外。
4. 所有镜片高清纳米多层镀膜,镜头最前端镀膜防水防污膜。
5. 外壳采用精密的航空级铝合金材料,对焦等关键部位采用精密铜材,加上紧凑的结构设计,让镜头变得轻巧、耐用,同时拥有丝滑的对焦手感。

镜头操作说明

1. 镜头安装
镜头的红色圆点对准相机机身的白色圆点,顺时针方向旋转镜头,听到“嗒”声镜头锁紧为止。(尼康相机逆时针旋转镜头)
2. 镜头卸除
按下相机机身锁紧按钮,逆时针方向旋转镜头,把镜头从机身上取下。(尼康相机顺时针旋转镜头)

镜头使用、保存注意事项

- 由于潮湿的关系可能导致发霉或生锈。长期不用的时候,请与干燥剂一起放置在密闭性好的容器内保管。请勿放置在有樟脑丸/防虫剂等地方。
- 请勿直接触摸镜片表面。灰尘或污垢可以用吹灰球或镜头刷轻轻除去。指纹等可用市面上销售的镜头清洁液和擦镜纸轻轻擦拭。汽油、稀释液(香蕉水)等有机溶剂切勿使用。
- 该镜头非防水结构。雨天或近水源的地方使用时,请勿弄湿。若镜头内部进水,存在引起较大故障,导致无法维修的可能性。
- 环境温度突变时,镜头内部可能产生水蒸气结露现象。从寒冷室外进入温暖屋内时,请放置在镜头包或者封口塑料袋中,直至镜头温度与环境温度相近时再取出。

镜头规格

镜头名称	35mm T2.9 1.6x碳纤全画幅变宽电影镜头
焦距距离	35mm
光圈	T2.9-T16
镜片结构	13组18片
光圈叶片数	10
支持最大画幅	全画幅
拍摄距离	0.9 m - ∞
对焦方式	手动
最大放大倍率	1:22.87(V) , 1:40.08(H)
滤镜规格	M58×0.75
对焦环的旋转角度	120°
最大直径	60.5mm (DL/E) ; 66.8mm (RF)
光圈环直径	60.48mm
对焦环直径	60.48mm
长度(不含镜头盖)	E: 102mm DL: 103mm RF: 100mm
重量(不含前后盖)	E: 415g DL: 390g RF: 425g