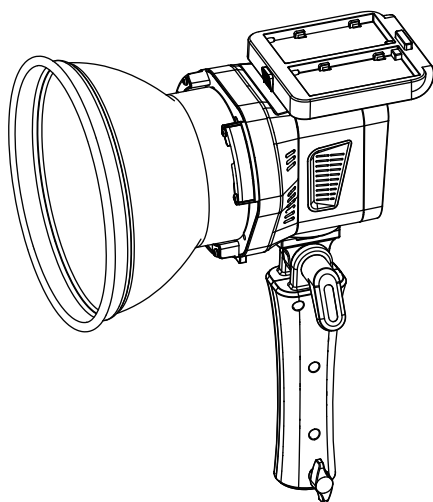




# 思锐C60 LED摄影灯



## 使用手册

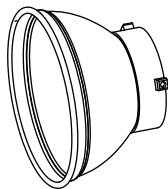
# 前言

LED摄影灯C60是一款多用途摄的长亮摄影灯，轻便和双供电模式设计，可固定在灯架使用，也可手持移动使用，操作便捷，适用于静物拍摄、视频拍摄、直播、婚纱摄影、儿童摄影等场景。

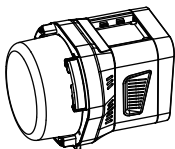
## 主要特点

- (1) 轻巧便携，方便手持，自由布光。
- (2) 8种情景特效模式自由调节。
- (3) 高亮度均匀的光输出，使画面更具质感。
- (4) 搭配静音风扇散热，保证LED稳定工作的同时不会产生噪音。
- (5) 多灯联控，支持手机APP控制。
- (6) 保荣卡口设计，通用主流附件，控光更方便。

## 包装清单



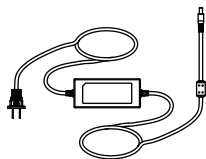
反光罩\* 1



灯体组件\* 1



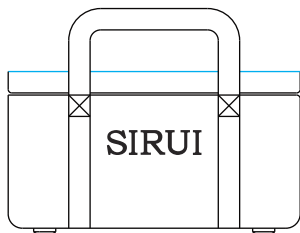
电池盒\* 1



适配器\* 1



多功能手柄\* 1

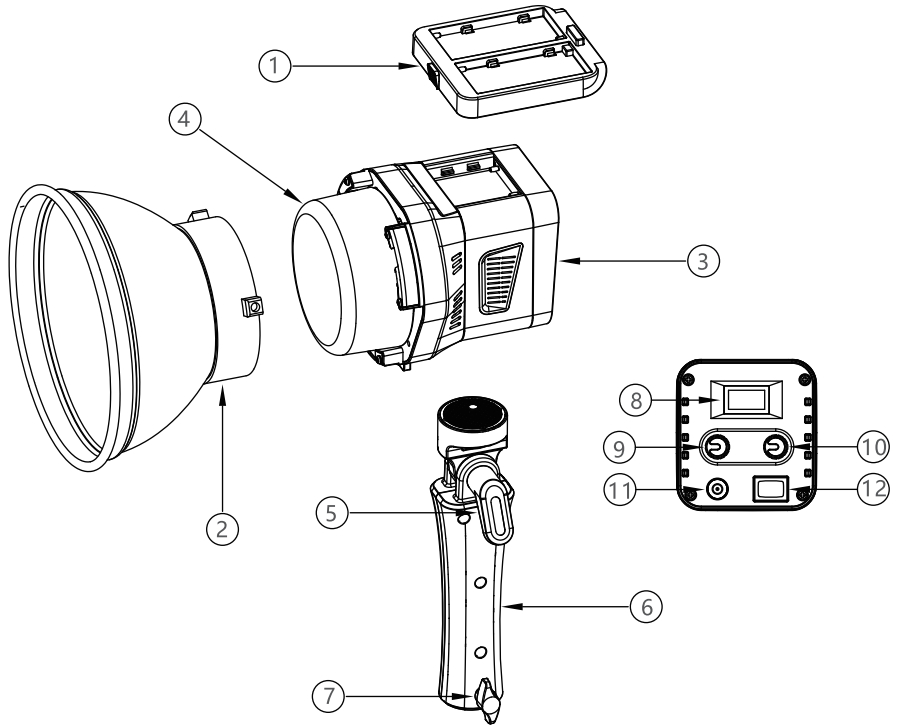


便携包\*1



保修卡\*1

# 产品介绍



1	电池盒		7	安装固定旋钮
2	柔光罩		8	显示屏
3	灯体		9	SET旋钮
4	灯体保护罩		10	DIM旋钮
5	角度调节旋钮		11	DC电源接口
6	多功能手柄		12	电源开关

## 电源管理

### 1、适配器供电

输入100-240V,50/60Hz , 2.5A,输出：16.8V,5A

### 2、外置电池供电

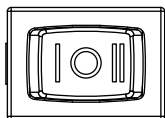
电池盒上装2个NP-F970电池，装入顶部卡槽固定即可供电。（电池盒只供电池放电，不能充电，需两个电池同时使用）

## 操作说明

### 1、 开关机

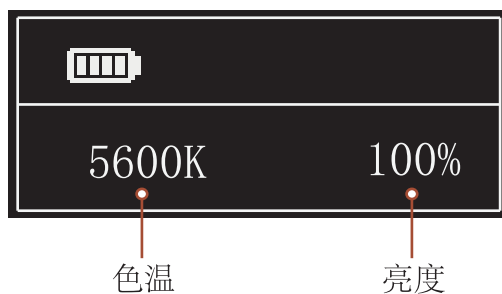
使用电池供电时，开关往“ I ” 按下开机，往中间复位关机。

使用适配器供电时，开关往“ II ” 按下开机，往中间复位关机。



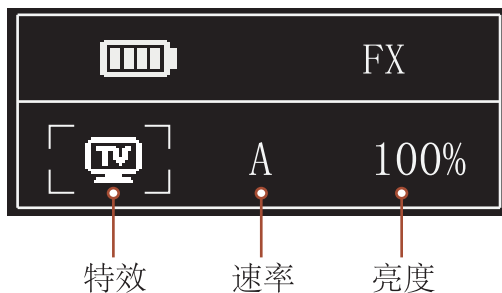
### 2、 模式选择：短按SET旋钮选择常规模式/FX特效模式

#### 2.1 常规模式。



2.1 亮度调节：在常规模式下旋转DIM旋钮，最小变量1%，调节范围0-100%。

## 2.2、情景特效模式



2.2.1 转动SET旋钮选择灯光特效，短按DIM选择A、B、C档位，转动DIM旋钮调整亮度。

2.2.2 亮度调节：旋转DIM旋钮，最小变量1%，调节范围0-100%。

2.2.3 情景特效模式有8类，用户可以根据需求选择：

序号	显示	场景	显示A	显示B	显示C
1	⚡	闪电	间歇	频繁	持续
2	💡	闪光灯	闪光	发布会	狗仔队
3	💡	故障灯	间歇	频繁	持续
4	📺	电视荧幕	慢速	中速	快速
5	🎆	烟花	短暂	连续	演出
6	📶	脉冲	慢速	中速	快速
7	🔥	电焊	间歇	频繁	持续
8	SOS	SOS	慢速	中速	快速

### 3、连接手机APP

3.1. 长按SET打开蓝牙（再次长按SET关闭蓝牙）

3.2. 扫描二维码下载“SIRUI Light”手机APP

3.3. 手机打开蓝牙，在“SIRUI Light”APP中连接对应的灯就可通过APP控制灯。

Q SIRUI Light



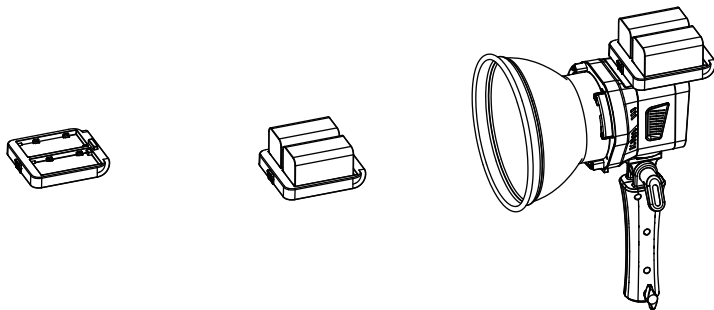
扫码下载App



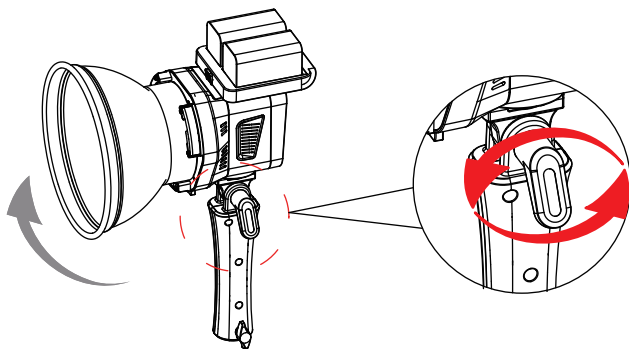
具体操作请参考手机APP使用说明。

### 4、安装和固定

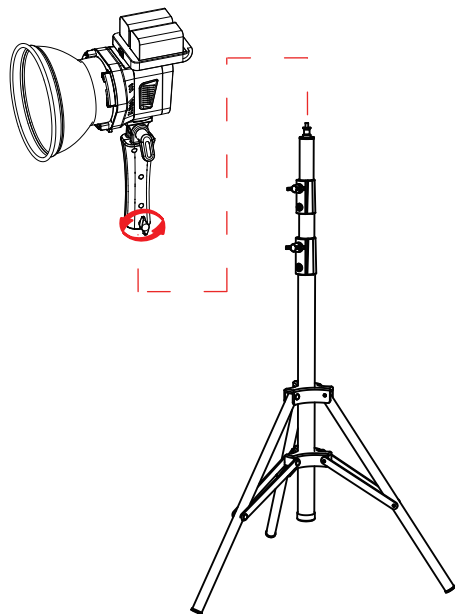
4.1 用2个NP-F970电池装入电池盒，然后装入灯体，安装好手柄后可以正常使用。



4.2 通过手柄上角度调节旋钮可以调整灯的角度。



4.3，通过手柄底部固定旋钮，可以将灯固定在灯架上。



### 产品参数

型号	C60
产品尺寸	92*116*110mm
产品重量	单灯660g
LED功率	约60W
色温范围	5600K
特效模式	8类
裸灯100%光照度	1m距离 3000lux
TLCI	平均98
CRI	平均96
工作环境温度	-10°C-45°C
控制方式	手机APP
蓝牙无线控制距离	15m

设计和规格如有变更，恕不另行通知。

## 注意事项

- 1、产品应放置于凉爽、干燥、通风对的地方存储。
- 2、当灯具点亮时请勿直视灯珠。
- 3、避免将灯具放置于易燃易挥发的溶剂附件。
- 4、避免在潮湿、多尘、过热的环境中使用。
- 5、请使用配套适配器，其他规格有可能导致硬件损坏。如使用其他电源适配器造成的产品故障，不予保修。
- 6、使用时，请取下灯体前端保护罩。

## 维护保养

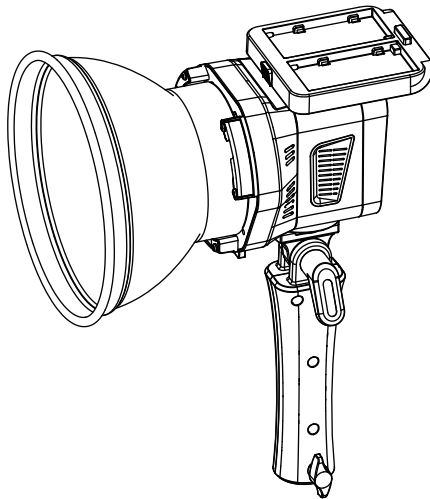
- 1、灯体在工作时，如发现异常，应立即关掉电源，查明原因。
- 2、灯体应避免震动，平时注意表面除尘。
- 3、灯体稍有发热为正常现象。
- 4、维修由本厂维修部负责。
- 5、本产品保修一年，消耗品适配器、电源线等不在一年保修范围内。
- 6、经发现，擅自检修此灯的，将取消一年保修期，维修需要收取相关费用。
- 7、如果本品出现故障或者被水淋湿，在专业人员维修后方可继续使用。
- 8、设计和规格如有变更，恕不另行通知。





# SIRUI

## SIRUI C60 LED Monolight



## User Manual

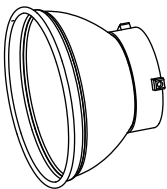
## Foreword

This LED Light C60 is a multi-purpose continuous light supporting both battery and adapter power supplies. Being rather portable, this light can either be handheld or attached to a stand. Suitable for various shooting scenarios e.g. live, camping, make up, portrait shooting, video, wedding, children photography, etc.

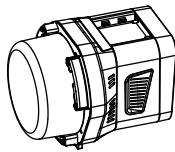
## Features

1. Compact and lightweight, easy to be held in hand.
2. 8 FX situational special effects.
3. Bright even lights.
4. A silent fan is built inside to ensure noiseless running.
5. Support group control and APP control.
6. Common accessories can be attached to the LED light via the Bowens mount adapter.

## What's in the Box



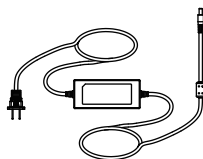
Reflector\* 1



Light Body\* 1



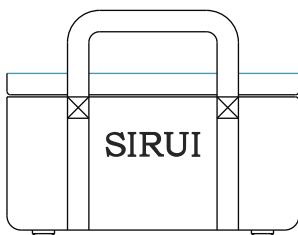
Battery Case\* 1



Adapter \* 1



Handle\* 1

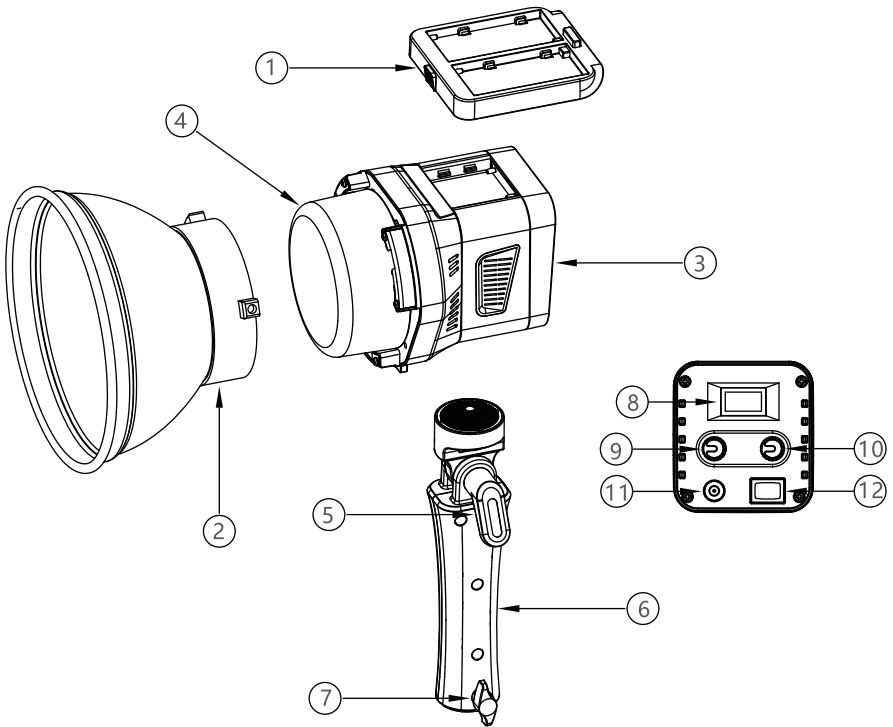


Portable Bag\*1



Warranty Card\*1

## Names of Parts



1	Battery Case	7	Fixing Knob
2	Reflector	8	Display
3	Light Body	9	SET Select Dial
4	Protect Cover	10	DIM Select Dial
5	Angle Adjustment Knob	11	DC Power Socket
6	Handle	12	Power Switch

# Power Management

## 1. Adapter Power Supply

Input: 100-240V~50/60Hz 2.5A, output: 16.8V 5A

## 2. External Battery Power Supply

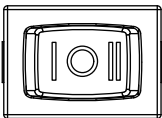
Install two NP-F970 batteries into the battery compartment. Slide the battery case on top of the light to achieve power supply. (The battery case is unable to charge the batteries. When powered by the battery, make sure there are at least two batteries in the case.)

# Operation

## 1. Power On/Off

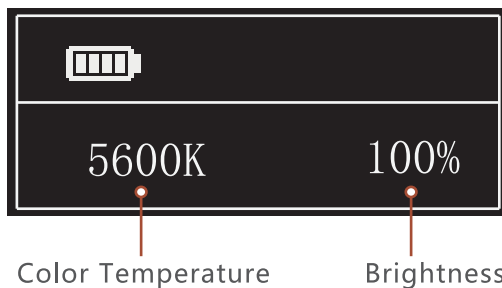
When powered by the battery, hit "I" to turn on the light, press the button in the middle to turn off the light.

When powered by the adapter, hit "II" to turn on the light, press the button in the middle to turn off the light.



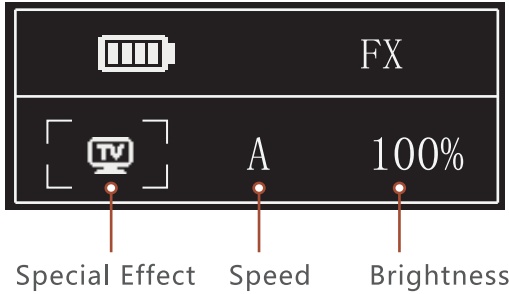
## 2. Mode Selection: Hit the SET button to switch between the continuous lighting mode and FX special effect mode.

### 2.1 Continuous Lighting Mode



2.1.1 Brightness adjustment: turn the DIM dial to adjust the brightness from 0% to 100%.

## 2.2 Special Effects Mode



2.2.1 Turn the SET dial to select a special effect. Hit the DIM dial to adjust the speed (A, B, C). Turn the DIM dial to adjust the brightness.

2.2.2 Brightness adjustment: turn the DIM dial to adjust the brightness from 0% to 100%.

2.2.3 There are 8 situational special effects for your choice:

No.	Display	Situation	DisplayA	DisplayB	DisplayC
1		Lightning	Discontinuous	Frequent	Sustainable
2		Flash	Flash	Press Conference	Paparazzi
3		Broken Bulb	Discontinuous	Frequent	Sustainable
4		TV	Slow	Medium	Quick
5		Firework	Brief	Continuous	Show
6		Impulse	Slow	Medium	Quick
7		Welding	Discontinuous	Frequent	Sustainable
8	<b>SOS</b>	SOS	Slow	Medium	Quick

### 3. APP Control

3.1 Press and hold the SET dial to turn on Bluetooth. (Press and hold the SET dial again to turn off Bluetooth.)

3.2 Scan the QR code to download the "SIRUI Light" App.

3.3 Turn on Bluetooth, enter the "SIRUI Light" App. Select "C60 LED Light" from the device list.

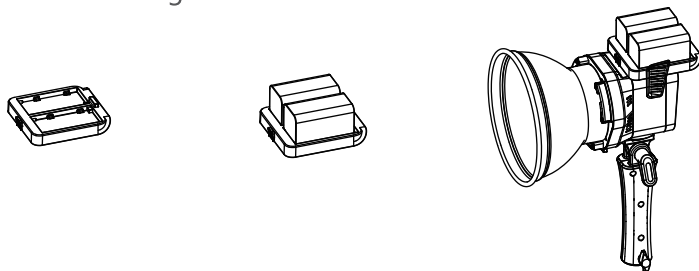


Scan the QR code to download the App.

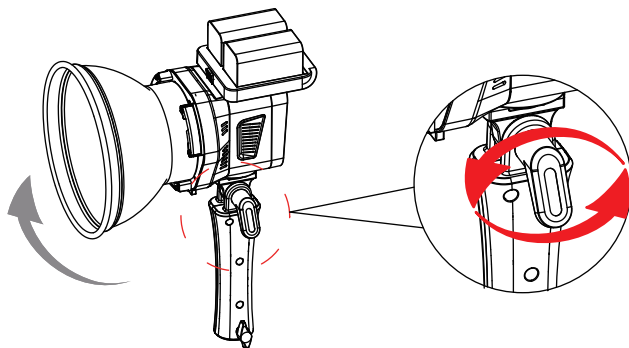
For detailed steps, please refer to the APP instruction manual.

### 4. Installation

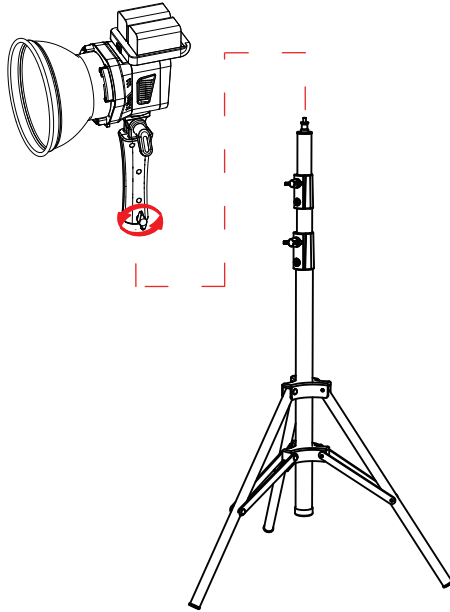
4.1 Install two NP-F970 batteries into the battery compartment and slide the battery case on top of the light. Mount the handle to the bottom of the light for handheld use.



4.2 Adjust the angle of the light via the angle adjustment knob.



### 4.3 Fix the light to a stand via the fixing knob.



## Specifications

<b>Model</b>	C60
<b>Size</b>	92*116*110mm
<b>Weight</b>	Single LED light: 660g
<b>Power</b>	about 60W
<b>Color Temperature Range</b>	5600K
<b>Special Effect</b>	8
<b>100% Illuminance (LUX)</b>	3000 lux at 1m
<b>TLCI</b>	98 on average
<b>CRI</b>	96 on average
<b>Working Temperature</b>	-10°C-45°C
<b>Control Method</b>	APP Control
<b>Wireless Bluetooth Control Distance</b>	15m

\* Product design and specifications are subject to change without notice.

## Warning

1. The product should be kept in a cool, dry and ventilated place.
2. Do not look directly at the LED lamp beads when the light is on.
3. Do not put the light near flammable and volatile solvents.
4. Avoid using the light in humid, dusty, overheated environments.
5. Use of unauthorized power adapter may cause damage to the product and void the warranty.
6. Please remove the protect cover before using the light.

## Maintenance

1. If there is something wrong with the light when it is working, please turn it off first.
2. Avoid sudden impacts and the product should be dedusted regularly.
3. It is normal that the light gets a bit hot when it is working.
4. Maintenance must be performed by the authorized maintenance department which can provide original accessories.
5. This product, except for consumables, supports a one-year warranty.
6. Unauthorized service will void the warranty.
7. If the product had failures or was wetted, do not use it until it is repaired by professionals.
8. Changes made to the specifications or designs may not be reflected in this manual.