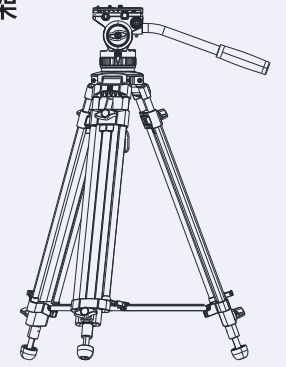




影像随心 思锐随行

使用说明 SH系列三脚架

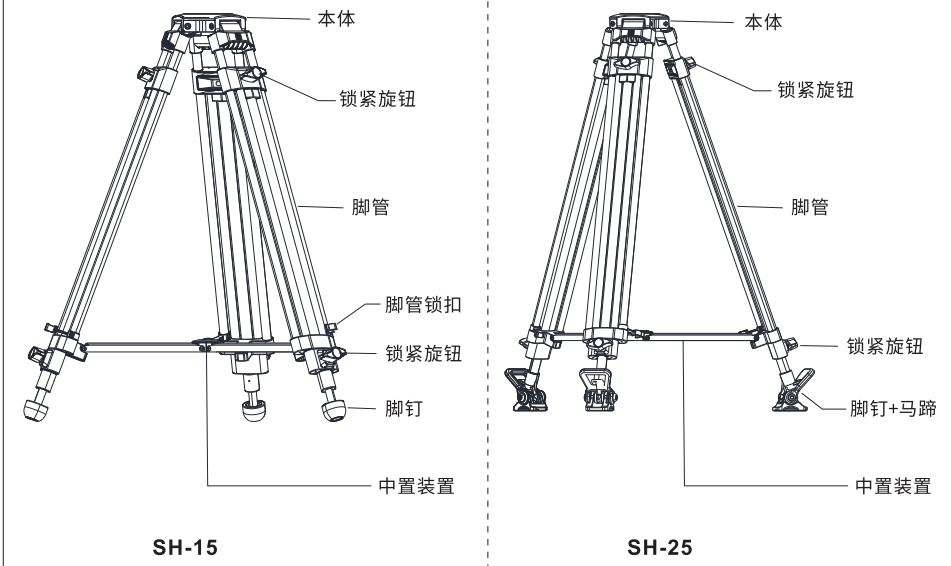


广东思锐光学股份有限公司

地址: 广东省中山市五桂山第三工业区 邮编: 528458
电话: 0760-88897373 传真: 0760-88207062 服务热线: 400 830 2299
邮箱: info@sirui-photo.com 网址: www.sirui.com
投诉电话: 18165639388
(仅限工作日 8:15-12:15, 14:00-18:00)

一、认识产品

脚架:



云台:

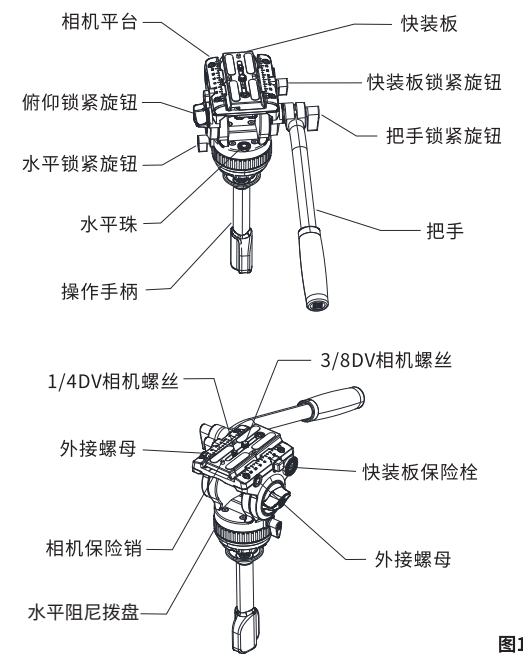
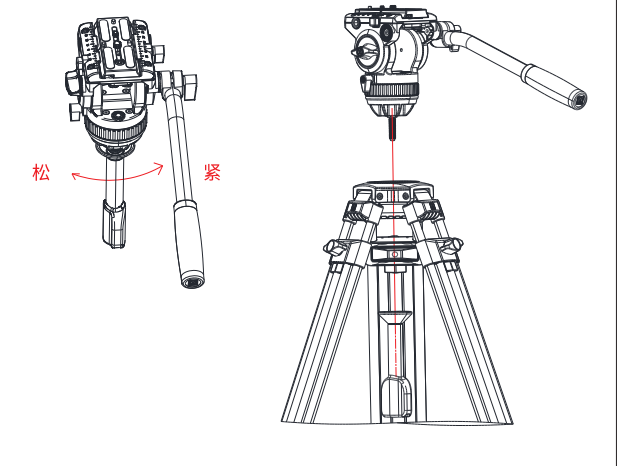


图1

二、安装和拆卸云台

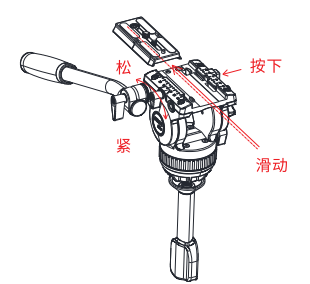


把云台放在三脚架的三角座上, 然后观看云台上的底座水平珠把云台调整到水平位置, 用锁紧手柄沿逆时针方向将云台锁紧在三脚架上。

图2

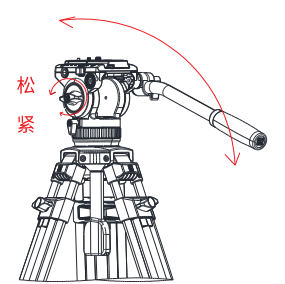
三、云台的使用方法

1. 快装板安装和拆卸



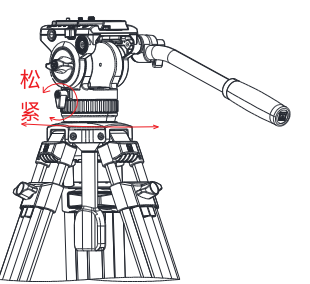
- 1、把快装板锁紧旋钮逆时针方向松开, 按下保险按钮, 然后把快装板从夹座的后面滑出。
- 2、锁紧旋钮如遇限位不能转动, 可向外拉出后调整角度, 复位再进行扭动。

2. 俯仰角度的调节



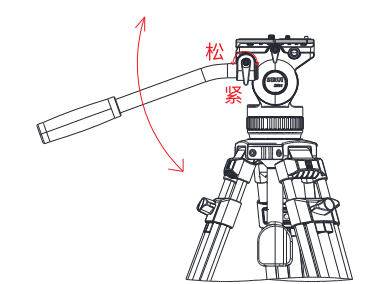
松开俯仰锁紧按钮, 可以调节云台的俯仰角度, 角度调整后, 拧紧再使用。

3. 水平角度的调节



- 1、逆时针松开水平锁紧旋钮(至少一圈), 转动水平阻尼拨盘来调整阻尼, 即可水平360°旋转云台。此时阻尼加到最大云台仍可轻微转动。
- 2、顺时针锁紧水平锁紧旋钮, 此时无论如何调节阻尼, 云台均无法水平旋转。
- 3、锁紧旋钮如遇限位不能转动, 可向外拉出后调整角度, 复位后再进行扭动。

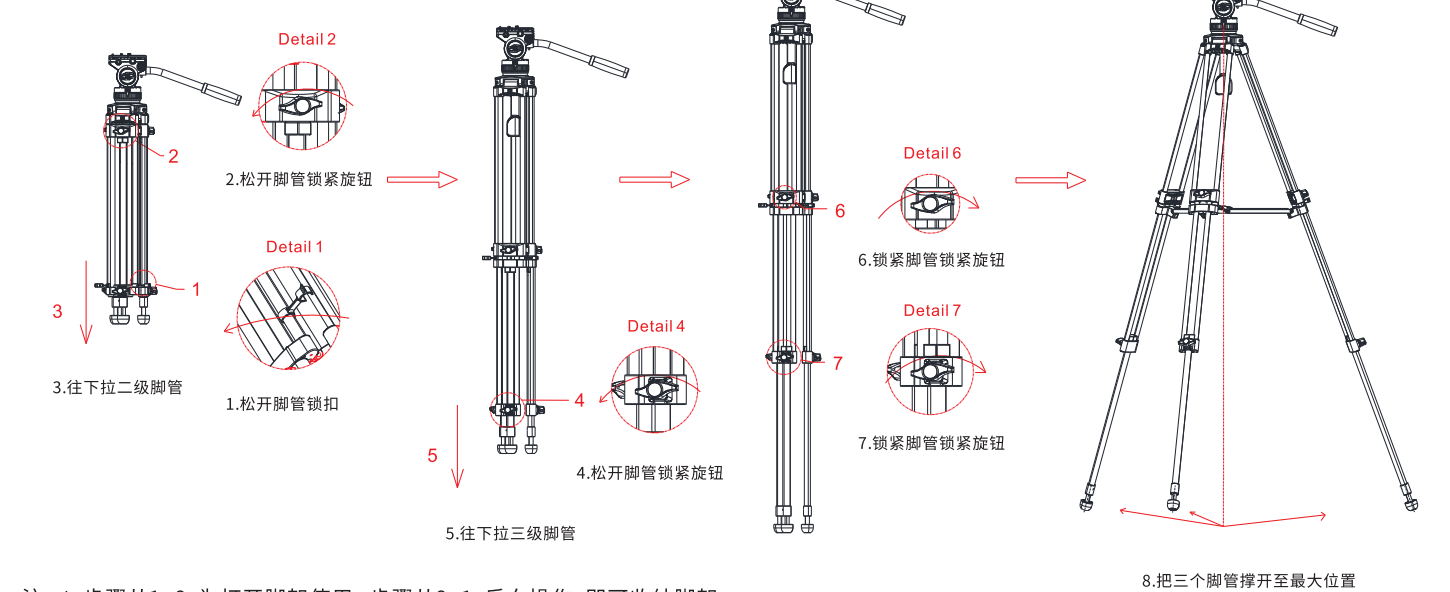
4. 把手角度的调节



- 1、松开把手锁紧按钮可以旋转调节把手的使用角度, 角度调整后拧紧再使用。
- 2、完全松开锁紧旋钮可拆卸把手, 可安装在云台另一侧。

图3

四、脚架的使用方法

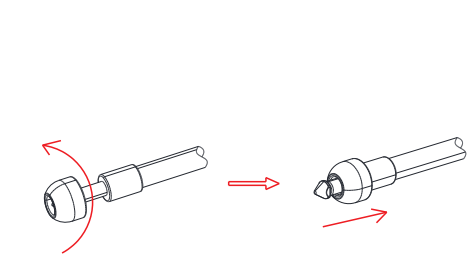


注: 1、步骤从1~8, 为打开脚架使用; 步骤从8~1, 反向操作, 即可收纳脚架;
2、SH-15 和 SH-25 脚钉不同, 具体以实物为准;

图4

五、脚钉转换

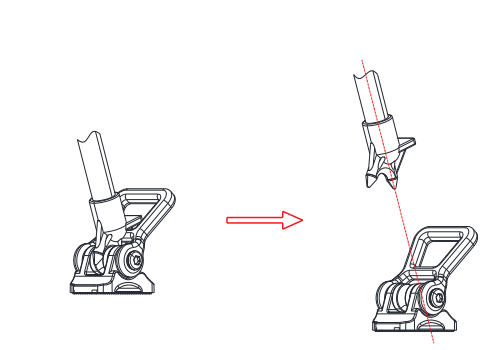
SH15系列:



把脚垫逆时针旋转, 可以上移, 转为为钢钉模式

图5

SH25系列:



把马蹄环拉开, 可以移走马蹄, 转为为钢钉模式

图6

SH系列三脚架参数

图标	参数名称	SH15	SH25
	最大负重 kg	10	10
	自身重量 kg	3.6	4.0
	收箱高度 mm	825	959
	最大高度 mm	1551	1900
	最小高度 mm	782	916
	最小管径 mm	14	14
	最大管径 mm	18	18
	节数	3	3

温馨提醒

1. 在使用脚架拍摄且需要移动位置时, 请将相机从三脚架上取下, 切勿将相机装在脚架上一同移动, 剧烈的晃动 (特别是安装了长焦镜头的相机) 可能会使转接螺丝断裂, 进而损坏相机。
2. 伸展脚管时, 请从最大管径的脚管到最小管径的脚管的顺序伸展; 收纳脚管时, 请从最小管径的脚管到最大管径的脚管的顺序收纳。

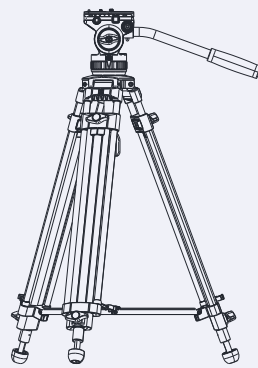
注意事项:

- 不要超过最大的制定负重 (请参考个别产品说明);
- 当使用产品时, 时常紧锁其安全装置;
- 切勿在温度低于零下40摄氏度及高于100摄氏度使用, 当在潮湿、沙地、布满尘埃的环境下使用后, 谨记将产品弄干及清洁, 不建议在海水中使用;
- 切勿将产品长时间放在太阳下暴晒及避免高温环境, 例如长时间放在车厢内或玻璃后;
- 在公众地方使用时, 如在没有人照料下, 切勿留下设备而引致其他公众不便;
- 建议在运输过程中, 将设备 (例如相机) 从脚架上移除;
- 使用温和清洁剂及柔软毛巾清洁, 将尘埃及沙粒从所有锁制及活动部件清除;
- 除非有需要, 此设备无需定期添加润滑油, 如确实需要时, 请使用标准润滑油或油蜡;
- 为自身安全着想, 切勿将产品接触任何电源。



SIRUI, Capturing your Imagination!

Instructions SH Series Tripods

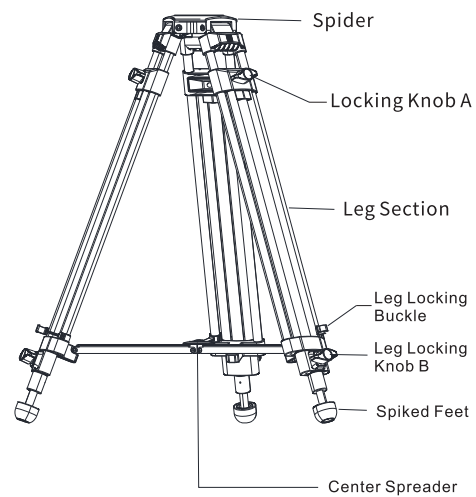


GUANGDONG SIRUI OPTICAL CO., LTD.

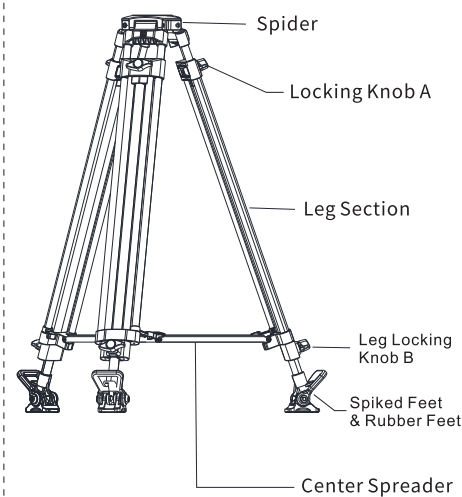
Add: The Third Industrial District, Wuguishan Town, Zhongshan City, Guangdong, China (Zip Code: 528458)
Tel: 86-760-88897373 Fax: 86-760-88207062
E-mail: info@sirui-photo.com Website: www.sirui.com

1. Know the Product

Tripod:



SH-15



SH-25

Video Head

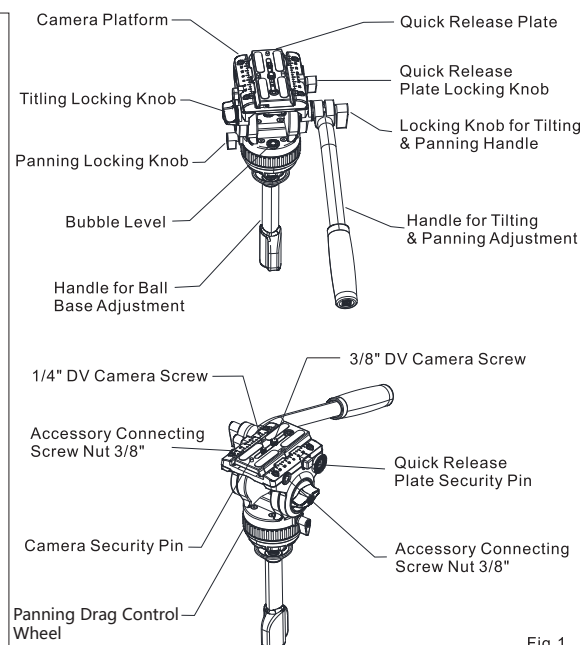
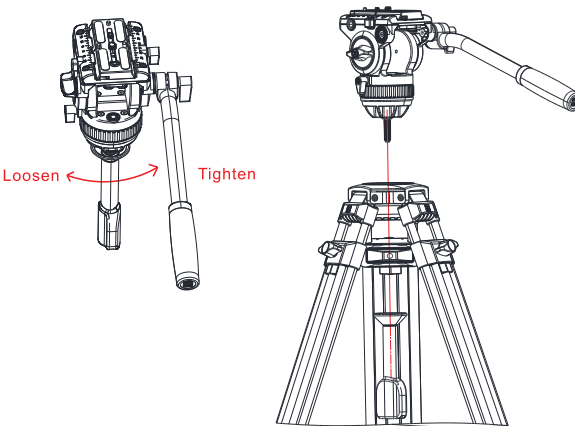


Fig.1

2. Mounting and Removal of the Video Head

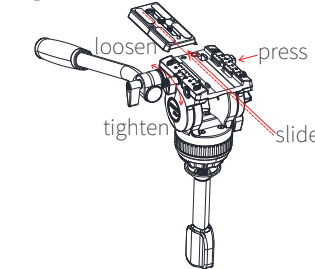


Put the head on the mounting base of the tripod, adjust the head to be balanced by checking the bubble level on the head base. Lock the head on the tripod by turning the handle under the ball base counter-clockwise.

Fig.2

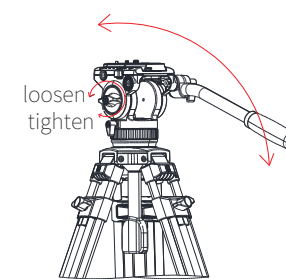
3. Operation of the Video Head

Mounting and Removal of the Quick Release Plate



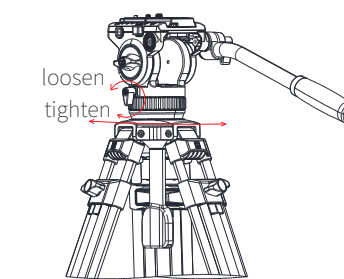
- Press the security pin and twist the quick release plate locking knob counterclockwise to take out the quick release plate.
- If the quick release plate locking knob hits the limit, pull out the knob to adjust its position.

Tilting Angle Adjustment



Loosen the tilting locking knob to tilt the head to your desired angle. Then tighten the knob to lock the head securely.

Panning Angle Adjustment

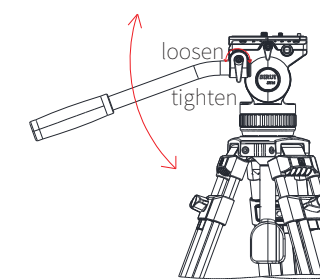


a. Loosen the panning locking knob by twisting it counterclockwise for at least one turn. Rotate the panning friction control wheel to adjust the friction. Then you can smoothly pan the head 360°. The head can be slightly panned even when the friction is at its maximum.

b. Tighten the panning locking knob by twisting it clockwise. Then the head will be securely locked into place no matter how you adjust the friction.

c. If the panning locking knob hits the limit, pull out the knob to adjust its position.

Handle Angle Adjustment



a. Loosen the handle locking knob to adjust the handle to your desired angle. Then tighten the knob to lock the handle into place.

b. Fully loosen the handle locking knob to remove the handle. You can mount the handle on the other side of the head.

Fig.3

4. Operation of Tripod

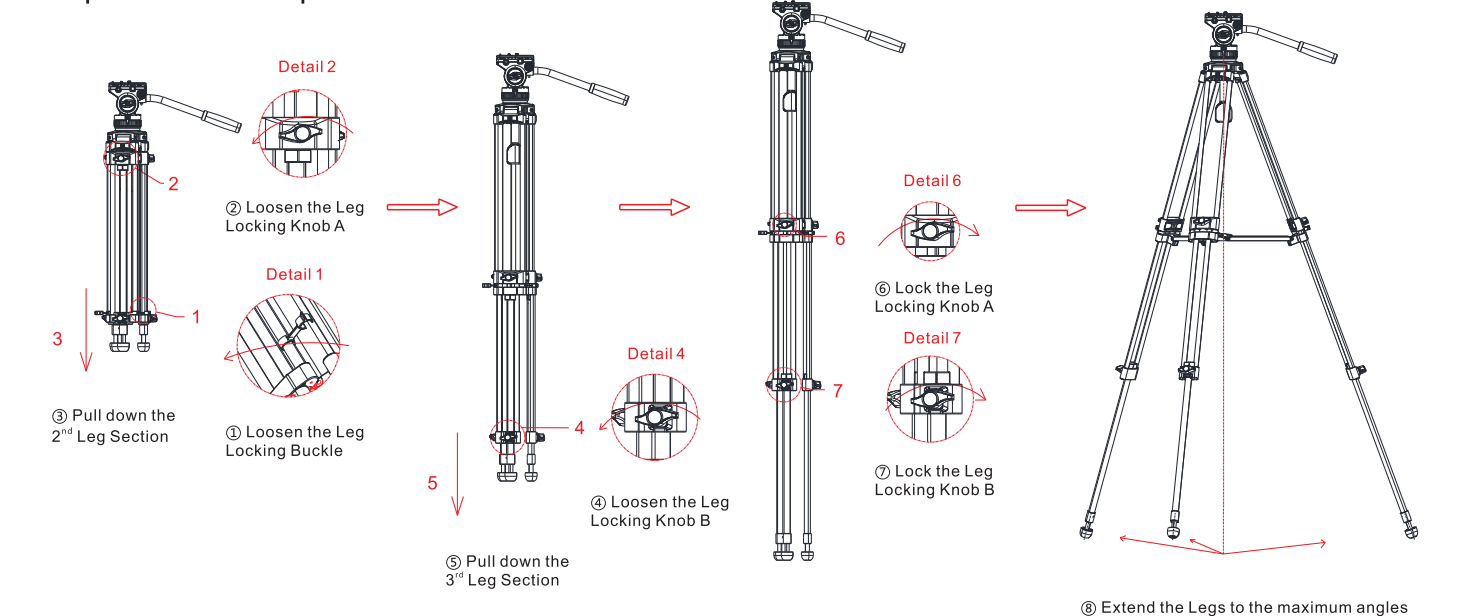
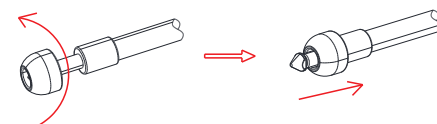


Fig.4

Notes: a. Open the tripod legs as the steps 1~8, and close the tripod legs as reversed steps 8~1.
b. The Spider Feet for SH-15 and SH-25 are different and shall be subject to the real object.

5. Tripod Feet Conversion

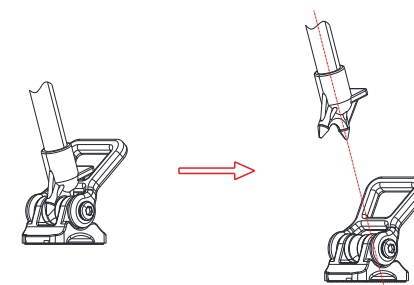
SH-15 Tripod Feet:



Turn the feet counter-clockwise to move up toward the leg section for converting to the Stainless Steel Spikes.

Fig.5

SH-25 Tripod Feet:



Pull the Rubber Feet Ring to remove the Rubber Feet for converting to the Stainless Steel Spikes.

Fig.6

SH Series Tripod Data Chart

Model	Section	Max. Dis. mm/inch	Min. H. mm/inch	Max. H. Extended mm/inch	Retractable H. mm/inch	Weight kg/lb	Max. Load kg/lb
SH15	3	18/0.71	14/0.55	1551/61.1	825/32.5	3.6/7.9	10/22
SH25	3	18/0.71	14/0.55	1900/74.8	959/37.8	4.0/8.8	10/22

CAUTION
Please remove the camera from the tripod when changing the position of the tripod. Do not place the tripod, with camera attached, over your shoulder or carry the tripod horizontally by the legs. Strong shaking may cause damage of the screw in the mounting plate and/or the camera. Please extend the legs from the biggest tube to smallest tube, close the legs from the smallest tube to biggest tube, to avoid leg joint bushing damage.

Attention:

- Do not exceed the recommended load limit of the head and/or tripod. (Please refer to product specifications.)
- Please make sure that the locks are securely tightened when in use.
- This product should not be used in environments that exceed the following conditions (-40 ~ +100°C/-40 ~ +212°F). And, when used in damp, dirty or dusty environments, please clean and dry thoroughly after use, to assure proper functioning in the future. It is not recommended to expose this product to saltwater. If exposed, please clean with mild soap and warm water and towel dry.
- Please keep from high temperatures and direct exposure to bright sunlight for extended periods of time.
- Please do not leave the equipment alone in a public place, which can be an inconvenience or hazard to others.
- To protect your camera gear, please remove it from the tripod/ball head when transporting from place to place.
- Please use a soft towel with warm water and mild soap to clean the locking system and gliding parts when necessary. Towel dry before storing the tripod.
- Under most situations, there is no need to lubricate any parts of this product. The addition of most lubricants will gum up the mechanisms and reduce their normal gliding characteristics. Please call or email us if you have any questions or special needs.
- Please keep this product away from all electrical power sources.

Global Distributor Directory



Products Info



Official Website

News and Tutorials



YouTube

Services



Facebook

Thank you for purchasing SIRUI products! SIRUI will provide free warranty service if the product fails due to poor materials and workmanship under normal use.

The global agents are ranked in no particular order. If after-sales service is required, please contact the local agent first.

Headquarter of SIRUI Optical Co., Ltd.

After-Sale Service Hotline: 400 830 2299

Complaints Hotline: 181 6563 9388

Singapore/T K Foto Technic Pte Ltd

Address: Funan 107 North Bridge Rd #03-09 Singapore 179105

Tel: +65 6904 6610 **Fax:**+65 6904 6620

http: //www.tkfoto.com.sg **E-mail:** ark@tkfoto.com.sg

India/Foto centre Trading Pvt. Ltd

Address: Foto Centre Trading Pvt.Ltd* 303, 3rd Floor, Ravi Building, 189-191, Dr. D. N. Road, Mumbai-400 001.Maharashtra,India **Tel:** 0091-9820110120

http: //www.sirui.in **E-mail:** info@sirui.in

Canada/LightPro Group Inc

Address: 3206 Wharton Way Mississauga, ON L4X 2C1

Toll Free: 1-800-361-9682 **Tel:** 905-940-9262

http: //www.lightprogroup.com **E-mail:** Sales@lightprogroup.com

Kazakhstan/PSP Digital

Address: г. Алматы, проспект Абая 130 (территория ЖК «Абая 130»)

Tel: 8 707 217 03 99 8 707 958 54 94

http: //pspdf.kz/contacts **E-mail:** pspkz@mail.ru

Russia /REQUIRED, LLC

Address:

Tel: 8 (499) 500-96-27

http: //kremlinstore.ru **E-mail:** order@kremlinstore.ru

Romania/West Buy S.R.L

Address: Bdul. Mircea Voda nr. 36, Sector 3, Bucharest, Romania, 030688
Telephone: +(4)021.3205652 **Tel/Fax:** +(4)021.3205655 **Mobile:** +(4)0745414956
Mobile: +(4)0752111704 **Mobile:** +(4)0756111947 **Mobile:** +(4)0752110439
http: //www.westbuy.ro **E-mail:** westbuy1@gmail.com

Slovenia/Infocona d.o.o

Address: Prevale 9, 1236 Trzin
Tel: 01/ 562 00 61 **http:** // **E-mail:** info@infocona.si

Turkey/siruturkiye

Address: Çobançesme Mah. Sanayi Cad. Kimiz Sk. No:12 Yenibosna Bahçelievler, Istanbul
Tel: 0(850)222 37 73
http: //www.siruturkiye.com **E-mail:** oceltikci@essegrup.com

Hong Kong/HONG KONG RUIJIE TRADING COMPANY LIMITED

Address: UNIT C 15/F HUA CHIAO COMM CTR 678 NATHAN RD MONGKOK KL
Tel: 00852-9409 5241
http: // **E-mail:** paulli34@foxmail.com

South Africa/Sunshine Distribution PTY LTD

Address: 29 Keyes Avenue, Rosebank Johannesburg, 2196, South Africa
Mobile: +27 79 641 0288 **Phone:** +27 11 268 0803
http: //www.sunshineco.co.za **E-mail:** Willem@sunshineco.co.za

Israel/Argol LTD

Address: 19 Hamerkava st.Holon 5885113 Israel
Tel: +972-3-5581901-6 **Fax:** +972-3-5501148
http: //www.argol.co.il **E-mail:** eli@argol.co.il

Malaysia/Leomax (M) Sdn Bhd

Address: B-5-7, block B, Pusan komersial southgate Jln dua, off jln Chan sow Lin 55200 Kuala Lumpur, Malaysia **Tel:** (+603)9224 2001
http: //www.leomax.com.my **E-mail:** account@leomax.com.my

Panama /TODO FOTO PANAMA

Address: Avenida Justo Arosemena y Cl. 45 Este,Panamá Ciudad de Panamá
Tel: 225-4620 / 203-1288
http: //www.todofotopanama.com **E-mail:** rosa@todofotopanama.com

Nigeria/Nextgen Media Ltd

Address: 73, Allen Avenue, Ikeja, Lagos
M. +234 (0) 805 1987 394 | +234 (0) 909 1094 565
http: //www.nextgentv.tv **E-mail:** Afolasade.OK@nextgentv.tv

Ukraine/BIGggSALE.com

Address: Ровно: ул. Данила Галицького 19, 718 офіс. (Главный офіс)
Tel: (096)308-36-00;(063)308-36-00;(066)308-36-00
http: //BIGggSALE.com **E-mail:** shop@bigggsale.com

Luxembourg /TSE Imaging BV

Address: Argonweg 135, 1362 AD Almere,
Tel: +31 (0) 36 8450348
http: //www.tseportal.nl **E-mail:** service@tokina.eu

Belgium/TSE Imaging BV

Address: Argonweg 135, 1362 AD Almere,
Tel: +31 (0) 36 8450348
http: //www.tseportal.nl **E-mail:** service@tokina.eu

Italy /TOSCANA FOTO SERVICE S.r.l.

Address: Via Ponte all' Asse, 2/4, 50019 Sesto Fiorentino (FI)
Tel:
http: //www.sirui-italia.it **E-mail:** info@fotocomm.it

Poland/Focus Nordic

Address: Al. Jerozolimskie 180, 02-486 Warszawa
Tel: +48 697 991 248
http: //www.focusnordic.pl **E-mail:** info@focusnordic.pl

Taiwan/Tai Nein Company Ltd.

Address: 2F, No.29, Ren Ai Road, Sec 2, Taipei, Taiwan

Tel: +886-2-33433966 **Fax:** +886-2-33433969

http: //www.lf99.com **E-mail:** tainein@ms23.hinet.net

Thailand/ 456 Marketing Company Ltd

Address: 636/12 Soi Ramkhamhaeng 39 (Thepleela1), Wangthonglang, Bangkok 10310, Thailand. **Tel:** (+662)934-6565

http: //www.456mkt.com **E-mail:** online@456mkt.com

Japan/常盤写真用品株式会社

Address: 〒460-0011 名古屋市中区大須4丁目3番43号

Tel: 052-251-0351 **Fax:** 052-251-0981

http: //www.sirui-japan.com **E-mail:** takahashi@tokiwasyashin.co.jp

New Zealand/Photogear

Address: (1) 3/2 Tawa Drive, Rosedale, Auckland (2) 49 Mackelvie Street, Ponsonby, Auckland

Tel: (+64) 9 4792886

http: //www.photogear.co.nz **E-mail:** support@photogear.co.nz

Slovakia/Focus Nordic AB

Address: KUTA centrum, Zelený pruh 95/97, 140 00 Praha 4, Česká Republika

Tel: +420 604 582 550

http: //www.focusnordic.sk **E-mail:** info@focusnordic.sk

Czech Republic/Focus Nordic

Address: Zeleny pruh 95/97, 140 00 Praha 4

Tel: +46 31 336 23 00

http: //www.focusnordic.cz **E-mail:** info@focusnordic.cz

Netherlands/TSE Imaging BV

Address: Argonweg 135, 1362 AD Almere,

Tel: +31 (0) 36 8450348

http: //www.tseportal.nl **E-mail:** service@tokina.eu

Estonia/Focus Nordic

Address:

Tel: +46 31 336 23 00

http: //www.focusnordic.ee **E-mail:** info@focusnordic.ee

Vietnam (Hanoi)/SÔNG HỒNG CAMERA

Address: SÔNG HỒNG CAMERA - 44 TRĂNG THI, HOÀN KIẾM, HÀ NỘI

Tel: Hotline CH: 098.888.2533 - 024.3938.2267

http: //www.songhongcamera.com **E-mail:** banhang@songhongcamera.com

Vietnam (Ho Chi Minh)/Rawshop.vn

Address: 61 Đường Núi Thành, Phường 13, Tân Bình, Thành phố Hồ Chí Minh, Vietnam

Tel: 00842862656999

http: //rawshop.vn **E-mail:** thanhnam79@gmail.com

Saudi Arabia/Cameramix

Address: Al-Manar, Jeddah 23462 Saudi Arabia

Tel: 00966126282444

http: //cameramix.com **E-mail:** sales@cameramix.com

Al-Manar,
Jeddah 23462 Saudi Arabia

Republic of Korea/ Daekwang Enterprise

Address: Namdaemunno 10, Jung-gu, Seoul, South Korea (zip: 04528)

Tel: (+82) 2-752-3304

http: //www.sirui.co.kr **E-mail:** daekwangas@gmail.com

Australia/ DISCOUNT DIGITAL PTY LTD

Address: Suite1,64 Alexander St, crows Nest NSW2065, Australia

Tel: (+61)408 660 083

http: //www.pixelone.com.au **E-mail:** sales@pixelone.com.au

Indonesia/ Focus Nusantara

Address: Jln.Tanah Abang II No 77 Jakarta Pusat -10160, Indonesia

Tel: (+62)21 380 8080

http: //focusnusantara.com **E-mail:** saiful@focusnusantara.com

Republic of Lithuania /Focus Nordic

Address: Vienibas Avenue 109, LV-1058 Riga Latvia

Tel: +37 06 12 86 120

http: //www.focusnordic.lt **E-mail:** info@focusnordic.lt

Sweden/Focus Nordic AB

Address: Bergsjödalen 48, 41568 Gothenburg

Tel: +46 31 336 23 00

http: //www.focusnordic.com **E-mail:** info@focusnordic.se

Norway/Focus Nordic

Address: Ringeriksveien 164, 1339 Vøyenenga

Tel: +47 67 17 37 00

http: //www.focusnordic.no **E-mail:** info@focusnordic.no

Finland/Focus Nordic

Address: Knitter Business Park, Kutojantie 6-8, FI-02630 Espoo

Tel: +35 89 42 83 41 01

http: //www.focusnordic.fi **E-mail:** info@focusnordic.fi

Denmark/Focus Nordic

Address: Erhvervsvej 30, DK-2610 Rodovre

Tel: +46 31 336 23 00

http: //www.focusnordic.dk **E-mail:** info@focusnordic.dk

Iceland/Focus Nordic

Address:

Tel: +46 31 336 23 00

http: //www.focusnordic.is **E-mail:** info@focusnordic.is

Latvia /Focus Nordic

Address: Vienibas Avenue 109, LV-1058 Riga Latvia

Tel: +46 31 336 23 00

http: //www.focusnordic.lv **E-mail:** info@focusnordic.lv

Sri Lanka/CameraLK Store

Address: CameraLK Colombo: 263, Highlevel Road Colombo 05 00500 - Western

CameraLK Majestic City: No 28, 3rd Floor Majestic City Colombo 04 00400 - Western

CameraLK Kandy: 127A 1/1 D S Senanayake Veediya Kandy 20000 - Central Province
0812233872

Tel: +(94) 117 817 870

http: //www.cameralk.com **E-mail:** ushitha@cameralk.com

Kenya/Cameras Africa

Address: Nairobi along Kenyatta Avenue, next to Phoenix House. 1 Min Walk from Sentrim 680
Hotel

Tel: 00254722764900

http: //www.camerasafrica.com **E-mail:** sales@camerasafrica.com



Garantie
Warranty
Garantía
Garanzia



SIRUI Professional Photographic Equipment

Product	Warranty length	Produkt	Garantie Zeitraum
Tripods / Monopods / Heads / Accessories	6 years	Stative / Köpfe / Zubehör	6 Jahre
Humidity Control Cabinet (only Cabinet)	6 years	Humidor Schränke (nur Schränke)	6 Jahre
Humidity Control Cabinet (Electronics)	3 years	Humidor Schränke (elektronisch)	3 Jahre
Filters / Smartphonetools / Electronic Devices	2 years	Filter / Smartphonezubehör / Elektronische Geräte	2 Jahre

Model, Modell, Modèle, Modelo

Date, Datum, Fecha, Data

Dealer, Händler, Marchand, Comerciante, Negociante

European Service Center:

SIRUI Optical GmbH • Ernst-Augustin-Str. 1a • 12489 Berlin • Germany

Phone: +49 30 991 94 94 00

Email Address : info@siruioptical.eu

Deutsch

Die SIRUI Optical GmbH, Ernst-Augustin-Str. 1a, 12489 Berlin, gewährt Käufern eine Garantie von 6 Jahren ab Kaufdatum auf die Freiheit von Herstellungs- und Materialfehlern dieses Produkts. Von dieser Garantie nicht erfasst sind Schäden durch mechanische Beeinträchtigungen, große Hitze, nicht bestimmungsgemäße Verwendung sowie Abhandenkommen. Diese Garantie gilt nur in Verbindung mit dieser Garantiekarte und einem in Europa ausgestellten Kaufbeleg. Die gesetzlichen Rechte – insbesondere die gesetzlichen Gewährleistungsrechte – bleiben hiervon unberührt. Im Garantiefall wenden Sie sich bitte an das umseitig genannte Servicecenter.

English

SIRUI Optical GmbH, Ernst-Augustin-Str. 1a, 12489 Berlin, guarantees purchasers that this product will remain free from manufacturing and workmanship defects for 6 years from the date of purchase. Damage caused by mechanical damage, excessive heat, improper use and loss are not covered by this warranty. This warranty is valid only in connection with this warranty card and a receipt issued in Europe. Statutory rights – in particular the statutory warranty rights – remain unaffected. In the event of a warranty claim please contact the service centre listed overleaf.

Français

La société SIRUI Optical GmbH, Ernst-Augustin-Str. 1a, 12489 Berlin, Allemagne, offre aux acheteurs une garantie de 6 ans, à compter de la date d'achat, contre tous défauts de fabrication ou de matériaux. Cette garantie ne couvre pas les dommages causés par des problèmes mécaniques, la chaleur excessive, l'utilisation abusive et la perte. La garantie est uniquement valable si associée à la présente carte de garantie et une preuve d'achat délivrée en Europe. Les droits légaux – en particulier les droits de garantie prévus par la loi – restent inchangés. En cas de recours à la garantie, veuillez vous adresser au centre de service mentionné au recto.

Italiano

La SIRUI Optical GmbH, Ernst-Augustin-Str. 1a, 12489 Berlin, offre agli acquirenti una garanzia di esenzione da difetti di fabbrica e di lavorazione di questo prodotto, della durata 6 anni dalla data di acquisto. Tale garanzia non copre alcun danno causato da guasto meccanico, calore eccessivo, uso improprio nonché perdita. La garanzia è valida solo se accompagnata dalla presente scheda di garanzia e ad una prova di acquisto rilasciata in Europa. I diritti legali - in particolare, i diritti di garanzia previsti dalla legge - rimangono inalterati. In caso di intervento in garanzia, si raccomanda di rivolgersi al centro di assistenza indicato sul retro.

Español

La sociedad SIRUI Optical GmbH, Ernst-Augustin-Str. 1a, 12489 Berlin, otorga a sus compradores una garantía de 6 años a partir de la fecha de compra por los vicios ocultos y defectos de fabricación de este producto. La garantía no cubrirá los daños ocasionados por desgastes mecánicos, altas temperaturas, un uso no conforme con lo prescrito o por pérdida o extravío, y sólo será válida presentando esta carta de garantía y el comprobante de compra expedido en Europa. Lo anterior no afectará a los derechos legales y, en particular, a los derechos de garantía legales. En el caso contemplado en la garantía, le rogamos se ponga en contacto con el Centro de atención al cliente, cuya dirección consta en el dorso de esta carta de garantía.

Portugués

A SIRUI Optical GmbH, Ernst-Augustin-Str. 1a, 12489 Berlin, garante aos seus clientes uma garantia de 6 anos a partir da data de aquisição relativa à liberdade de defeitos de produção e fabrico do produto. Esta garantia não cobre danos causados por efeitos adversos decorrentes de avaria mecânica, calor excessivo, utilização indevida, ou perda. Esta garantia é apenas válida mediante apresentação deste cartão de garantia e um recibo emitido na Europa, sem prejuízo dos direitos legais (em particular, os direitos legais de garantia). Em caso de reclamação, contate o centro de serviço referido no verso.

SIRUI Warranty

Professional Photographic Equipment



For US Market Only



SIRUI USA, LLC

For technical support, service or repairs please contact:

29 Commerce Court Verona, NJ 07044

info@sirui.com Phone: 866-373-0829

Thank you for your purchase of Sirui professional products! Sirui warrants that your purchase is free from defects in materials and workmanship, under normal use during the Limited Warranty period. The warranty period starts on the original date of purchase on your sales receipt. If service is required, please include a copy of the sales receipt and this warranty card, with an explanation of the problem. Please store your sales receipt and warranty card in a safe location.

Model purchased : _____

Store : _____

Product	Warranty period
Tripods and Heads	6 years
Optical and Smart Products	1 year (Battery: 6 months)
Humidity Control Cabinets	6 year (Electronic components: 3 years)

Date : _____

Serial number : _____

Sirui USA Limited Warranty

This warranty is limited to the repair, adjustment and/or replacement, at Sirui or its authorized distributor's option, of defective parts, free of charge (except the cost of transportation to the distributor/service center). Responsibility is limited to actual cost of item.

Register online at www.sirui.com. Call or email with questions or problems, before sending product in for repair. For warranty service on product purchased in the USA, all shipping and insurance charges must be prepaid. Include a copy of the sales receipt, this warranty card and an explanation of the problem. The product or defective part(s) may be sent through a local authorized SIRUI USA dealer or directly to the SIRUI USA distributor/service center indicated on this warranty card. Sirui will not be responsible for expenses or inconveniences, or consequential damages to equipment, or by breach of any expressed or implied warranty.

Out-of-warranty repairs - An estimate (including shipping costs) will be provided by the SIRUI USA distributor/service center indicated on this warranty card and repairs will begin once the estimate is approved and payment is received. A return shipping fee will be charged for refused estimates.

Limitations

Warranty is non-transferable. This warranty covers all defects encountered in normal use of the equipment and does not apply in the following cases:

- 1) If the equipment has been serviced by other than an authorized Sirui distributor or service center.
- 2) Damage to the equipment due to modification, overloading, mishandling, abuse, accident, sand, corrosives, water damage or not following operating instructions.
- 3) No valid proof of purchase is provided.
- 4) Damage caused by acts of nature (including, but, not limited to fires, floods or earthquakes).

This warranty is only valid when product is purchased from an authorized SIRUI USA dealer.

Please visit SIRUI's USA official website or consult the local dealer for the Return and Exchange Policy.